



# Jupiter

## home seating system



### JCM Customer Care Commitment



We are committed to taking care of our customers by providing a thorough after sales service and one-to-one customer assistance.

Our highly trained team of national representatives are on hand to provide free demonstrations, assessments and equipment set-ups to ensure your product is perfectly positioned for the user.

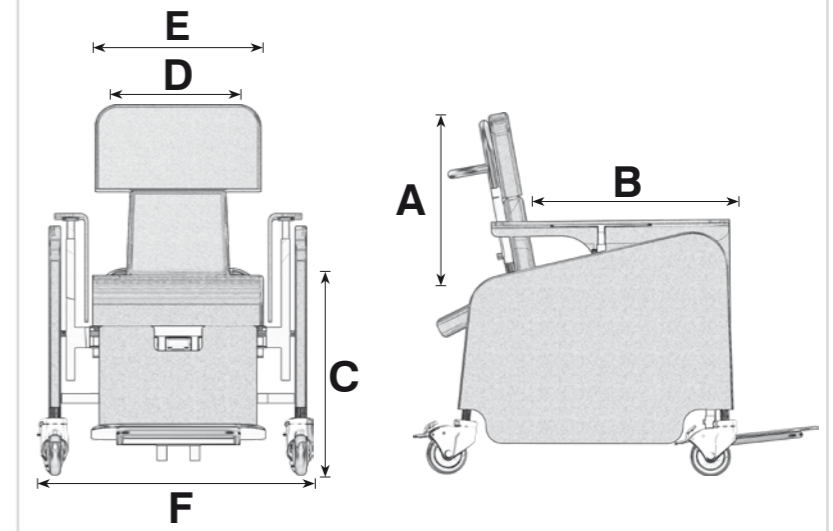
We pride ourselves in being able to offer a fantastic 3 year manufacturer's warranty as well as providing the option of service and maintenance visits by our trained Rehab Technology Suppliers to keep your product in perfect working order.

### Please Note

All measurements given for indication only. JCM can tailor the chair to your exact requirements. Our representatives will assess your child to ensure the chair is fit for purpose both now and for the future.

| MEASUREMENTS (inches)                | Junior Jupiter<br>3 - 10 years |     | Senior Jupiter<br>8 - Adult |     |
|--------------------------------------|--------------------------------|-----|-----------------------------|-----|
|                                      | MIN                            | MAX | MIN                         | MAX |
| <b>A</b> Back Height                 | 13¾                            | 22½ | 18¾                         | 24¾ |
| <b>B</b> Seat Depth                  | 11                             | 15¾ | 14¼                         | 19¾ |
| <b>C</b> Top of Seat to Floor        | 14½                            | 17¾ | 18½                         | 21¾ |
| <b>D</b> Width Between Hip Pads      | 6¾                             | 12¼ | 8¾                          | 15  |
| <b>E</b> Seat Width Without Hip Pads | 15                             |     | 17¾                         |     |
| <b>F</b> Overall Width of Chair      | 22½                            |     | 24½                         |     |

Both sizes recline from vertical to 25°. Tilt from horizontal to 20° back. All dimensions are nominal



[www.jcmamerica.com](http://www.jcmamerica.com)™



JCM America™  
521- D Uwharrie Court  
Raleigh, NC 27606

Phone 919-831-9000  
Fax 919-831-9100  
Toll Free 888-831-9831  
Email [enquiries@jcmamerica.com](mailto:enquiries@jcmamerica.com)  
Website [www.jcmamerica.com](http://www.jcmamerica.com)



**A wide range of individually adjustable features means the Jupiter can be tailored to suit a variety of needs.**

### Multi-Adjustable Head Rest

The head rest provided incorporates height and angle adjustment, alternative head supports are also available.



Headrest

### Winged Back

Can be contoured to suit the shape of the individual, enhancing trunk stability and comfort.



Large Tray

### Manoeuvrability

The 75mm twin wheel braked castors and double push handles ensure effortless manoeuvrability.



Leg Rest

Easily attached, the leg rest can be infinitely adjusted to the required angle.

The lateral supports are adjustable in height and depth and can be replaced with flexi supports for enhanced assistance.

With moving and handling in mind the lateral supports can be flipped aside for ease of transfer either manually or by sling and hoist.



Flip Away Trunk Supports

These features combined provide maximum comfort in various ways; reduce the risk of pressure sores, maintain posture, increase circulation to the limbs and ease transfer. Available in manual or electric. The tilt in space and recline facilities are easily controlled via levers on the handle.

Allowing combined height and angle adjustment the arm rests help to prevent shoulder strain and increase upper body stability.



Adjustable Arm Rests

Tilt in Space Back Recline



Footplate

### Height & Angle Adjustable Footplate

While in a seated position the integrated foot plates can be individually adjusted to give the best angle of support. They can also be flipped away to allow the clients feet to rest on the floor, improving transfer for clients who are able to stand.



Split Seat

### Split Seat Facility

Allows independent support and adjustment of the legs. Ideal for users with leg length variation. Kneeblocks are also available.



Pommel

### Pommel

Simply fits to the front of the seat to help abduct the legs.

## Pressure Care built in

We offer a comprehensive range of pressure care products including air, gel and foam cushions.

## Anti-Bacterial Fabrics

The seat, back and arms of the chair have waterproof linings as standard.

We have a fantastic range of colorful fabrics to choose from, all of which are stain resistant or machine washable, rub tested for durability and ignition tested to meet CE standards.

