



Heritage



Eclipse

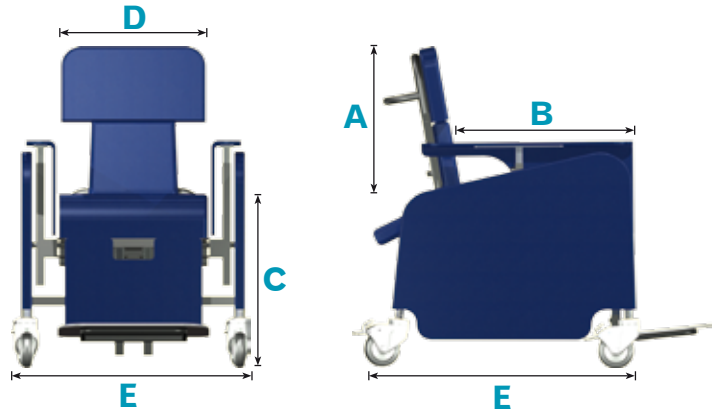
COMPLETE CARE CHAIR RANGE

Ultimate comfort and support with built-in pressure relief



designed for clinicians
refined for home & care

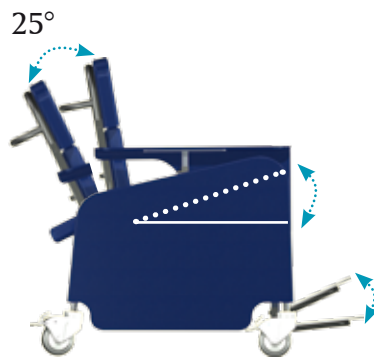
MEASUREMENTS (cm)	Eclipse	
	MIN	MAX
A Back Height	66 cm	81 cm
B Seat Depth	40 cm	52 cm
C Top of Seat to Floor	52.5 cm	60 cm
D Seat Width	35 cm	50 cm
E Chair Footprint (Overall Length x Width)	66.5 cm	70 cm



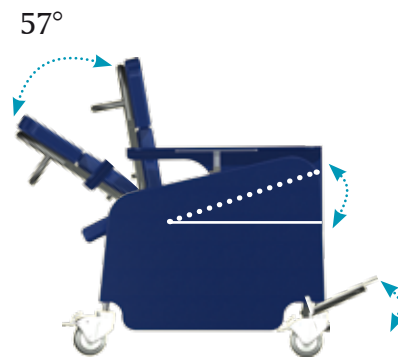
All dimensions are nominal.



Back recline from vertical to 32°.



Tilt in space (combined back tilt, seat base, footplate angle adjustment) from horizontal to 25° back.



Tilt in space with back recline combined.

The maximum loading on an Eclipse chair should not exceed 100kgs.



© 2007 JCM Seating all rights reserved.

CHECK LIST

- Independently adjustable features
- Pressure relief as standard
- Fixed back angle (Comfort) or multi adjustable (Power) ranges.
- Cordless operation
- Accessory choice
- Clinically proven postural management
- Removable, wipe-down covers



Heritage

15-18 Maxwell Road,
Woodston Industrial Estate,
Peterborough,
Cambridgeshire
PE2 7HU

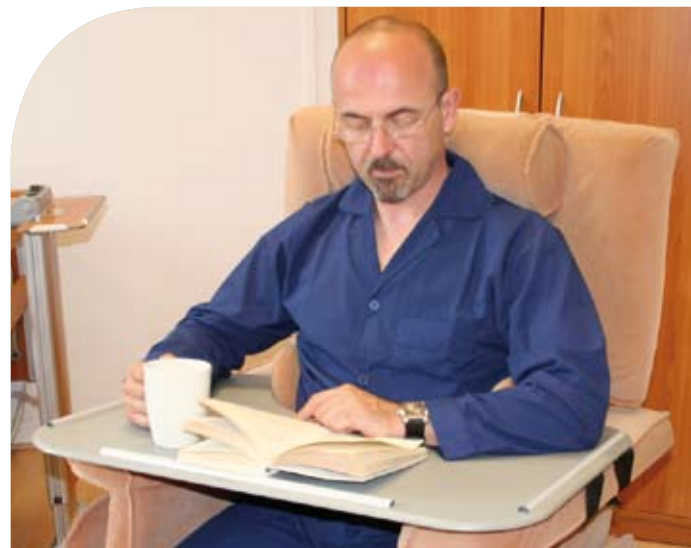
Tel: 01733 405830

Fax: 01733 405838

Email: enquiries@heritage-homecare.com

effortless control

Four large wheels; rear wheels which can be totally locked and front wheels which can be locked in one direction, ensure improved control and effortless manoeuvrability. A large, comfortable push handle which can be detached quickly and easily comes as standard; maximising the chairs mobility.



Superior seating for adults - a range of posturally supportive Comfort and Power chairs developed from a clinical perspective

Select the model which is right for you by choosing from the Comfort or Power range, identifying which matches your pressure risk needs, then tailor your chair further by selecting the accessories you require.

The Comfort back angle is fixed to encourage better posture or reclined backwards (tilt in space) into a relaxing sleeping/rest position and the leg rest can be adjusted up or down to aid circulation. The Power range adjustments to back and recline can be made independently or at the same time, allowing either user or carer to quickly and easily alter the chair to the most comfortable position at the touch of a button.

Users in need of extra postural stability can add trunk supports which aid positioning and balance. To add greater flexibility the 'winged' back cushion can be shaped around the upper back to support any spinal curvature and aid head support.

We have a stylish range of state of the art, hard-wearing, easy-clean covers which incorporate significant hygiene advantages. Compatibility with the majority of hoisting systems demonstrates the chairs practicality.

choice as standard

With a fixed back position in the Comfort range, through to the wide combination of adjustments in the Power range, each model is supplied with rechargeable batteries, allowing them to be used without mains attachment; preserving mobility while maintaining ease of use.



independently adjustable features

The following features can be easily adjusted separately to ensure that each Eclipse model is individually tailored to perfectly accommodate the users body size.

- Back Height
- Leg Rest Length
- Seat Length
- Seat Width
- Seat Height
- Arm Height

accessories

The choice of accessories available include:

- Variety of Headrests
- Neck Support
- Trunk Supports - Adjustable in Height & Depth
- Tray
- Height & Angle Adjustable Footplate
- Choice of Pro Walk Hip Belts
- Sandals



enhanced comfort

Protect against the risk of pressure sores and ensure ultimate comfort whilst sitting for long periods by choosing an Eclipse model with pressure relief which matches your requirements.

The pressure cushion options are suitable for users with a moderate to high risk of getting pressure sores and are all graded to comply with current standards. Alternative pressure relief cushions can also be easily accommodated into the Eclipse if necessary.



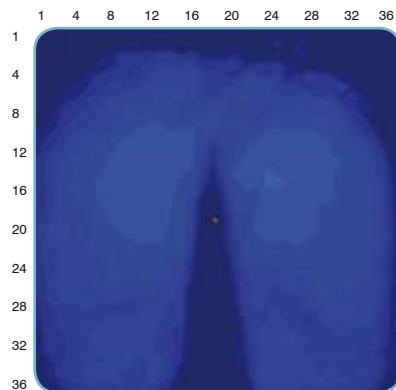
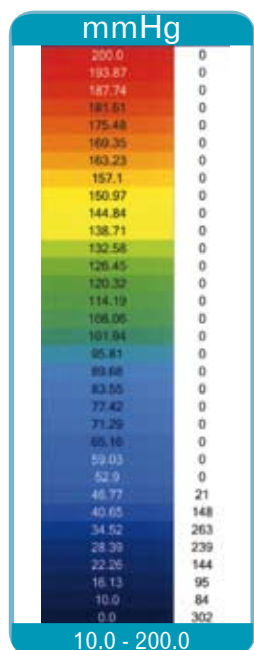
Slow Release Foam



Gel Cushion



Air Cushion



Eclipse chair pressure imaging with integrated visco and gel cushion.

Frame: 1
 Range: 10.0 to 200.0 mmHg
 Avg /Peak: 31.64 / 49.59 mmHg
 Area: 248.50 in²

pressure testing

As you can see from our pressure imaging test, our integrated gel cushions provide excellent pressure distribution.

This provides the user with enhanced comfort and weight distribution, ensuring essential protection against the usual disadvantages of long term seating.

