



Star X

multi function high chair



JCM Customer Care Commitment



We are committed to taking care of our customers by providing a thorough after sales service and one-to-one customer assistance.

Our highly trained team of national representatives are on hand to provide free demonstrations, assessments and equipment set-ups to ensure your product is perfectly positioned for the user.

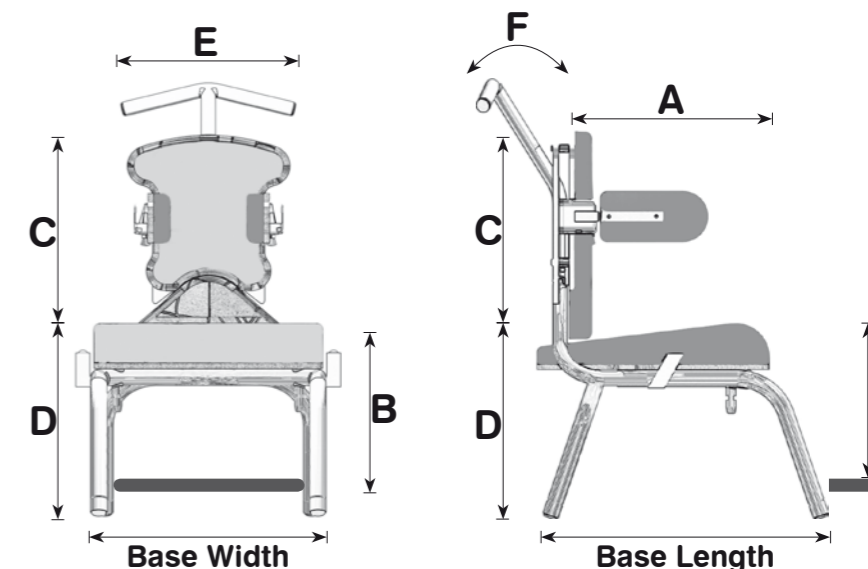
We pride ourselves in being able to offer a fantastic 3 year manufacturers warranty as well as providing the option of service and maintenance visits by our trained engineer to keep your product in perfect working order.

Please Note

All measurements given for indication only. JCM can tailor the chair to your exact requirements. Our representatives will assess your child to ensure the chair is fit for purpose both now and for the future.

BASE FOOTPRINTS width & length (cm)	W	L
Without base	36	42.5
5 Star Base	63	63
Multi Height & Tilt Base	54	72

MEASUREMENTS (cm)	SIZE 1		SIZE 2	
	MIN	MAX	MIN	MAX
A Seat Depth	20	30	25	35
B Top of Seat to Footplate	13	30	13	35
C Seat to Top of Back	33	39	36.5	42.5
D Seat to Floor - Without Base	27	34	32	39
D Seat to Floor - 5 Star Base	52	66	52	66
D Seat to Floor - Multi Height & Tilt Base	32	54	32	54
E Seat Width (between hip pads)	17.5	35.5	21	40.5
F Tilt/Prone 5 Star Base	0°	-25°	0°	-25°
F Tilt/Prone Multi Height & Tilt Base	10°	-20°	10°	-20°
Max user weight	40kg		60kgs	



www.jcmseating.co.uk



JCM Seating Solutions
15-18 Maxwell Road
Woodston Industrial Estate
Peterborough
Cambridgeshire
PE2 7HU
United Kingdom

T: 01733 405830
F: 01733 405838
E: enquiries@jcmseating.co.uk
W: www.jcmseating.co.uk

Versatile design for home and school use for ages 1-8



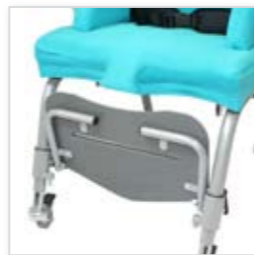
Posture

Pelvic Position

Correct pelvic position is achieved through the modular seat cushion which can be adjusted in conjunction with the hip pads to align the position of the legs. The sacral pad supports the lower back and pelvis and in conjunction with the lap strap ensures that children have a symmetrical sitting base. A variety of hip pads and lap belts are also available.



Flip-away laterals



Flip-away foot rest



In-built pommel & thigh guide

Trunk Position

To assist in maintaining trunk position, there is the option of flip away lateral supports with strap and pad or wrap-around flexi supports for a higher degree of support. Chest harnesses or waistcoat style vests can also be fitted to the chair. All trunk supports are adjustable in both width and height.

5 Star Base

An inexpensive alternative to the multi height base the compact design of our 5 star base takes up less floor space and still offers the tilt in space function.



Excellent back height range



Large tray



Multi adjustable arms

Growth

The excellent seat length and back height range enables the StarX to grow and develop with the child.

All optional extras come in a range of sizes and their position is adjustable to give the best possible support and comfort.



Great height adjustment for better interaction with friends, family and teachers



Versatility

The basic seat can be used directly on the floor, allowing the child easier access to playtime activities with friends. Each leg has three inches of height adjustment to allow for growing leg length or table height. The footplate flips away for children who can stand from seated. From a basic seat the Star can be adapted for greater posture management with the addition of supportive accessories.

can be adapted to suit the individual child's needs

tilt in space, prone + adjustable height

Multi Height & Tilt Base

Mounted on this base the StarX has enough height variation to allow children to be elevated up to high dining tables and down to low nursery tables. Removing the chair from the base is straightforward, and since all accessories are removable, the StarX can be easily dismantled for transport. The seat back legs are also removable for further streamlining.



Tilt in space comes as standard on the multi height base. The simple mechanism allows the seat to be reclined, while the sturdy base and lockable castors ensure stability. Angle adjustable arms also enable the tray to stay horizontal.

