



Jupiter

home seating system



JCM Customer Care Commitment



We are committed to taking care of our customers by providing a thorough after sales service and one-to-one customer assistance.

Our highly trained team of national representatives are on hand to provide free demonstrations, assessments and equipment set-ups to ensure your product is perfectly positioned for the user.

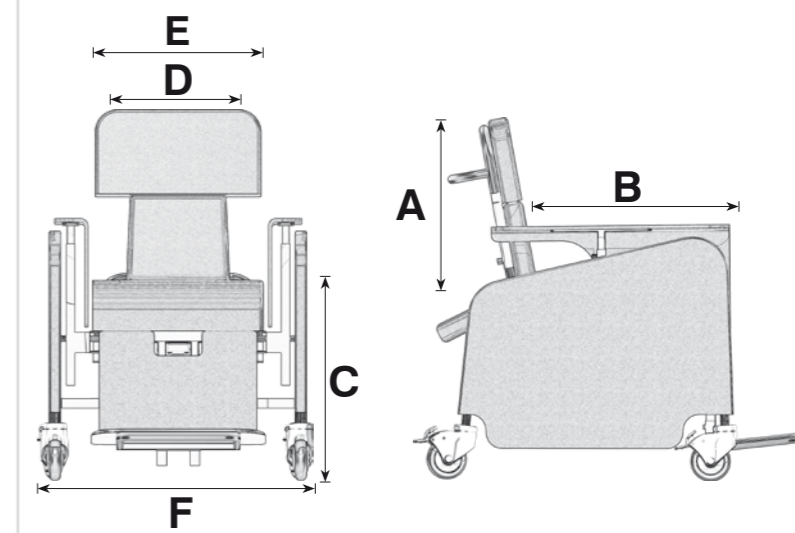
We pride ourselves in being able to offer a fantastic 3 year manufacturers warranty as well as providing the option of service and maintenance visits by our trained engineer to keep your product in perfect working order.

Please Note

All measurements given for indication only. JCM can tailor the chair to your exact requirements. Our representatives will assess your child to ensure the chair is fit for purpose both now and for the future.

MEASUREMENTS (cm)	Junior Jupiter 3 - 10 years		Senior Jupiter 8 - Adult	
	MIN	MAX	MIN	MAX
A Back Height	35	57	48	63
B Seat Depth	28	40	36	50
C Top of Seat to Floor	37	45	47	55
D Width Between Hip Pads	17	31	22	38
E Seat Width Without Hip Pads	38		45	
F Overall Width of Chair	57		62	

Both sizes recline from vertical to 25°. Tilt from horizontal to 20° back. All dimensions are nominal



www.jcmseating.co.uk



JCM Seating Solutions
15-18 Maxwell Road
Woodston Industrial Estate
Peterborough
Cambridgeshire
PE2 7HU
United Kingdom

T: 01733 405830
F: 01733 405838
E: enquiries@jcmseating.co.uk
W: www.jcmseating.co.uk



A wide range of individually adjustable features means the Jupiter can be tailored suit a variety of needs.

Multi-Adjustable Head Rest

The head rest provided incorporates height and angle adjustment, alternative head supports are also available.



Headrest

Winged Back

Can be contoured to suit the shape of the individual, enhancing trunk stability and comfort.



Large Tray

Manoeuvrability

The 75mm twin wheel braked castors and double push handles ensure effortless manoeuvrability.



Leg Rest

Easily attached, the leg rest can be infinitely adjusted to the required angle.

The lateral supports are adjustable in height and depth and can be replaced with flexi supports for enhanced assistance.

With moving and handling in mind the lateral supports can be flipped aside for ease of transfer either manually or by sling and hoist.

These features combined provide maximum comfort in various ways; reduce the risk of pressure sores, maintain posture, increase circulation to the limbs and ease transfer. Available in manual or electric. The tilt in space and recline facilities are easily controlled via levers on the handle.

Allowing combined height and angle adjustment the arm rests help to prevent shoulder strain and increase upper body stability.



Tilt in Space
Back Recline

Adjustable Arm Rests



Flip Away Trunk Supports



Height & Angle Adjustable Footplate

While in a seated position the integrated foot plates can be individually adjusted to give the best angle of support. They can also be flipped away to allow the clients feet to rest on the floor, improving transfer for clients who are able to stand.

Footplate



Split Seat Facility

Allows independent support and adjustment of the legs. Ideal for users with leg length variation. Kneeblocks are also available.

Split Seat



Pommel

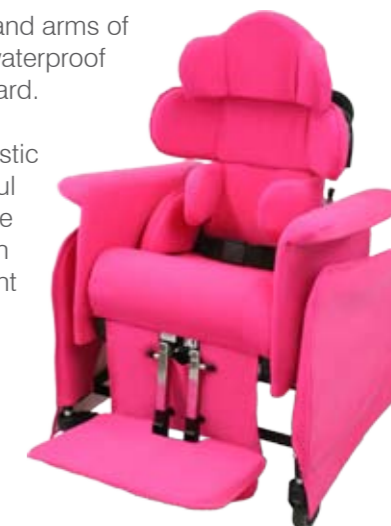
Simply fits to the front of the seat to help abduct the legs.

Pommel

Anti-Bacterial Fabrics

The seat, back and arms of the chair have waterproof linings as standard.

We have a fantastic range of colourful fabrics to choose from, all of which are stain resistant or machine washable, rub tested for durability and ignition tested to meet CE standards.



Pressure Care built in

We offer a comprehensive range of pressure care products including air, gel and foam cushions.

