



Carrot

adaptable car seat range



JCM Customer Care Commitment

We are committed to taking care of our customers by providing a thorough after sales service and one-to-one customer assistance.

Our highly trained team of national representatives are on hand to provide free demonstrations, assessments and equipment set-ups to ensure your product is perfectly positioned for the user.

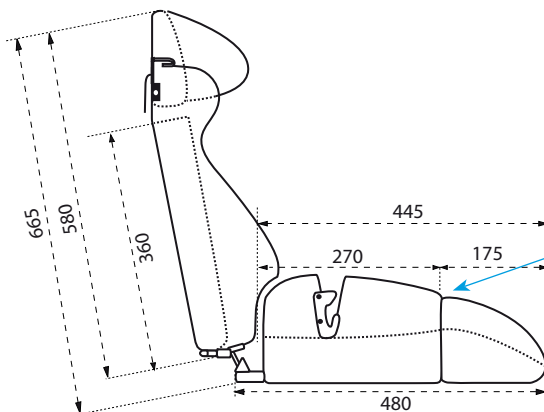
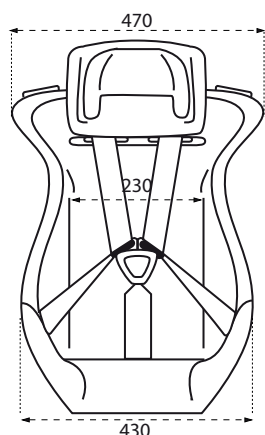
We also provide the option of service and maintenance visits by our trained engineer to keep your product in perfect working order.

Carrot II Measurements

MEASUREMENTS (mm)	MIN	MAX
Backrest Height	580	680
Overall Width of Chair	470	
Trunk Width (between balance pads)	230 approx	
Overall Weight of Chair	8 kg	
Approx User Weight	15 - under 49 kg	

Seat Depth (without front seat)	270
Seat Depth (standard)	445
Seat Depth (with 50mm extra pad)	495
Seat Depth (with 100mm extra pad)	545

Carrot II age range 3 - 15 years approx depending on physique



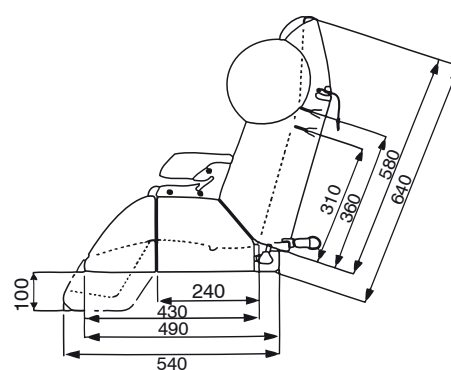
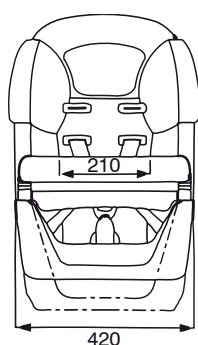
Extra pads can be inserted to extend the seat

Mini Carro Measurements

MEASUREMENTS (mm)	MIN	MAX
Backrest Height	-	640
Overall Width of Chair	420	
Trunk Width (between balance pads)	210	
Overall Weight of Chair	9 kg	
Approx User Weight	9 - under 18 kg	

Mini Carro age range 1-3 years approx depending on physique. As the Mini Carro is a smaller seat there is no height adjustment of the back.

Seat Depth (without front seat)	240
Seat Depth (standard)	430
Seat Depth (with 50mm extra pad)	480
Seat Depth (with urethane step kit)	530



www.jcmseating.co.uk



JCM Seating Solutions
15-18 Maxwell Road
Woodston Industrial Estate
Peterborough
Cambridgeshire
PE2 7HU
United Kingdom

T: 01733 405830
F: 01733 405838
E: enquiries@jcmseating.co.uk
W: www.jcmseating.co.uk

Mini Carro

Key Features of Both Seats



For those who require a smaller car seat.

Suitable For ages 1 - 3 approx.

Deep Bucket-Shaped Seat & Deep Backrest

The deep bucket-shaped seat, along with the large head pad holds the child securely and protects from sideways impact, while the deep backrest prevents the child from being thrown from the seat.

Impact Shield and 5 Point Belt

The large impact shield absorbs the shock of a collision while the 5 point-belt gives total body security and posture stability.

Support / Balance Pads

These pads hold the body snugly in place and can be placed anywhere on the seat to aid balance and stability.

Trunk supports and an abduction block are available to give additional support if required.

Range of Accessories

Both seats have a range of accessories which provide extra support and can be removed or replaced as the child grows.

Safety Standards

The Mini Carro meets European safety standard ECE R 44/03 and the Carrot II meets European safety standard ECE R 44/04



5 Point Belt



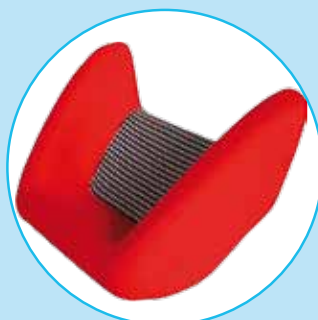
Straps for attaching to car seat

For a full list of accessory options please call us.

MINI CARRO ACCESSORIES



Cushion Table



Padded foot rest



Seat extension pad



Support Pad

Carrot II

A car seat which grows with your child, for ages 3-15 approx.

Height adjustable head rest



Body Balance Pads

Stabilizes the body against sideways sway, especially useful for those who have difficulty maintaining balance.



Features

The seat depth as well as the height of the back and neck rest can be increased, making the Carrot II suitable

for a broad age group. The vast range of accessories also means it can be adapted to cater for individual needs. The seat cover is detachable for washing.



ACCESSORIES



TRIANGLE MAT
Gives greater hip flexion.



FOOT REST
Height adjustable footrest to support feet & aid stability.



TRUNK SUPPORTS
These supports give enhanced lateral stability.



POMMEL
Slots easily into the seat to abduct the legs.

NOW AVAILABLE

ISOFIX TURNTABLE OR BASE

Allows integration into ISOFIX prepared vehicles and ensures easy access to and from the car seat.



EXTRA PADS
Provide correct seat extension for when the child is sitting with knees bent.



CUSHION TABLE
Supports the arms to stabilize the upper body. Easily attached / removed.